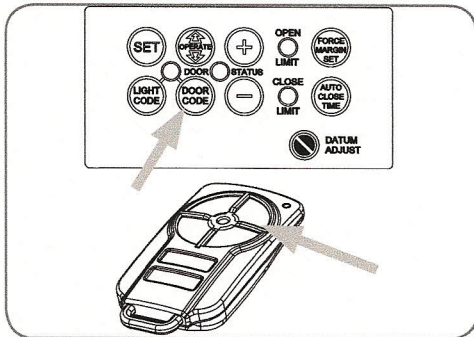


Coding Transmitters

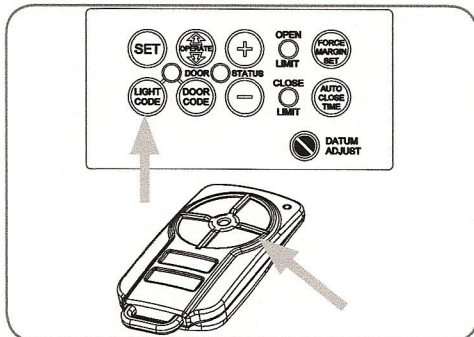
fig 27



Step 19.1 - Code a Transmitter Button for Door Operation

- Press and hold the DOOR CODE button (Fig. 27).
- Press one of the four buttons on the transmitter for two (2) seconds, pause for two (2) seconds, then press the same button again for two (2) seconds.
- Release the DOOR CODE BUTTON.
- Press the transmitter button to test.

fig 28

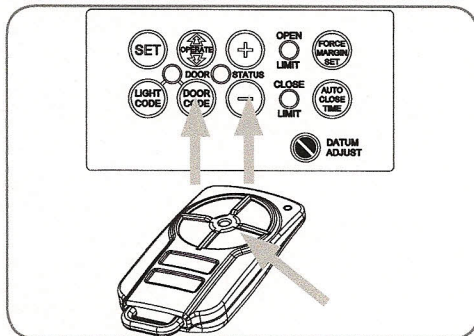


Step 19.2 - Coding a Transmitter Button to the Courtesy Light

The transmitter can be programmed to operate the courtesy light on the opener independently of the door moving.

- Press and hold LIGHT CODE button (Fig. 28).
- Press one of the four buttons on the transmitter for two (2) seconds, pause for two (2) seconds, then press the same button again for two (2) seconds.
- Release the LIGHT CODE button.
- Press the transmitter button to test.

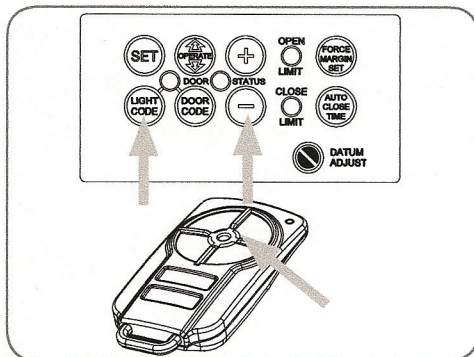
fig 29



Step 19.3 - Code a Transmitter Button for Pet (Pedestrian) Mode

- Press and hold both the DOOR CODE and MINUS (-) buttons (Fig. 29).
- Press one of the four buttons on the transmitter for two (2) seconds, pause for two (2) seconds, then press the same button again for two (2) seconds.
- Release the DOOR CODE and MINUS (-) buttons.
- Press the transmitter button to test. To change the default pet (pedestrian) door opening position, refer Step 2.

fig 30



Step 19.4 - Code a Transmitter Button to Enable Vacation mode

The opener can be programmed into a "Vacation Mode" where the opener will not respond to any transmitter except one pre-programmed unit.

- Press and hold LIGHT CODE and MINUS (-) buttons (Fig. 30).
- Press one of the four buttons on the transmitter for two (2) seconds, pause for two (2) seconds, then press the same button again for two (2) seconds.
- Release LIGHT CODE and MINUS (-) buttons.
- To test, press and hold the transmitter button for five seconds to set Vacation Mode.
- To reset Vacation Mode press the same button for two seconds.

